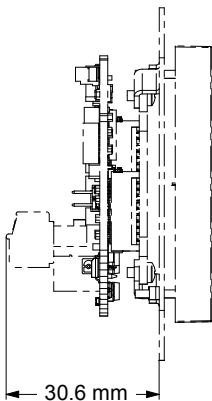
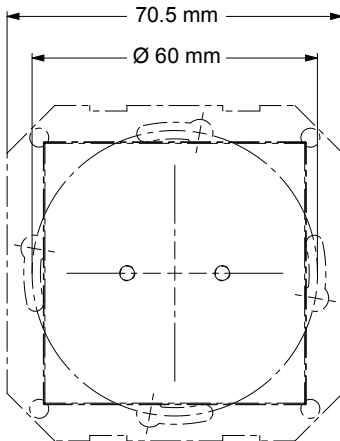




Universal switch box reader



primion has developed the universal switch box reader to meet the highest security requirements, while at the same time offering high levels of user comfort, without having to compromise on design.

The proximity reader is equally suitable for access control as for time recording. Key fobs or cards can be used as credentials. The corresponding operating state is shown through the yellow and red/green LEDs.

The reader can be installed indoors and features problem-free handling and simple installation in switch boxes from Siedle, Gira, Jung, Mertens and Behnke.

Through its high quality, the universal switch box reader is assured a long service life and as there are no moving parts, service costs are kept to an absolute minimum.

Thanks to its understated appearance, at a first glance, it doesn't stand out as being an access control or time recording unit.

pKT master function

With this function, the reader can read individual access-related data from the card and at the same time, write new access-related information onto the card, e.g. updated access rights. The pKT master function is only available if the reader is connected to an IDT 32 / IDT 2x controller and one of the software options from S400-310.01 to S400-340.01 has been ordered.

Features

- ▶ Suitable for use with access control and time and attendance systems
- ▶ High security
- ▶ For interior deployment
- ▶ Flexible application
- ▶ Simple installation
- ▶ Installation in switch boxes from Siedle, Gira, Jung, Mertens and Behnke

pKT master function

- ▶ For reading and writing a person's access authorisations
- ▶ Access rights are administered in the host system
- ▶ Use of RFID credentials as information carriers
- ▶ Reaction time, typically 1 sec.
- ▶ Special authorised cards are possible, e.g. first responders

Technical data

Power supply	9 - 50V DC, typ. 12 V DC
Power consumption	Typically 120 mA, max. 200 mA
Protection class	IP40
Reader interface	Clock / data, TTL level
Read technologies	MIFARE® DESFire® EV1 or LEGIC advant®
Read distances	MIFARE® DESFire® EV1 — Typically 1.5 cm LEGIC advant® — Typically 1.5 cm
Dimensions (W x H x D)	70.5 mm x 70.5 mm x 30.6 mm

The device fulfils the specifications of DIN EN 60721-3-3:1995/A2:1997, Class 3K3,3Z11 (interior).
L58B version for exterior deployment.

Ordering information

Universal build-in reader for switch boxes and Siedle housings

L58A-188.01	MIFARE® DESFire® EV1, MUni2
L58A-188.01-OSS	MIFARE® DESFire® EV1, MUni2 / OSS
L58A-189.01	LEGIC advant®, LUni2
L58A-189.01-OSS	LEGIC advant®, LUni2 / OSS

Accessories

MIFARE® DESFire® EV1 multi-protocol, build-in master reader

L58A-188.41	With screw terminals
L58B-188.41	For Siedle 611 housings – with screw terminals (suitable for exterior deployment)
L58A-188.42	For Behnke housings
L58A-188.43	For GIRA housings
L58A-188.44	For RITTO housings

LEGIC advant® multi-protocol, build-in master reader

L58A-189.41	With screw terminals
L58B-189.41	For Siedle 611 housings – with screw terminals (suitable for exterior deployment)
L58A-189.42	For Behnke housings
L58A-189.43	For GIRA housings
L58A-189.44	For RITTO housings
Z170-100.01	Antenna board for switch box reader; blue LED to indicate master readers